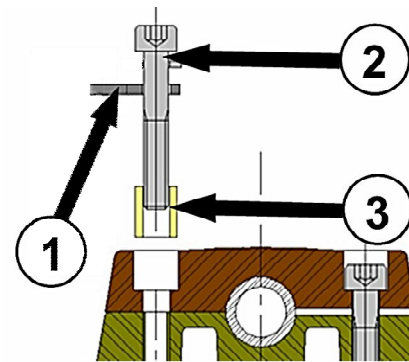
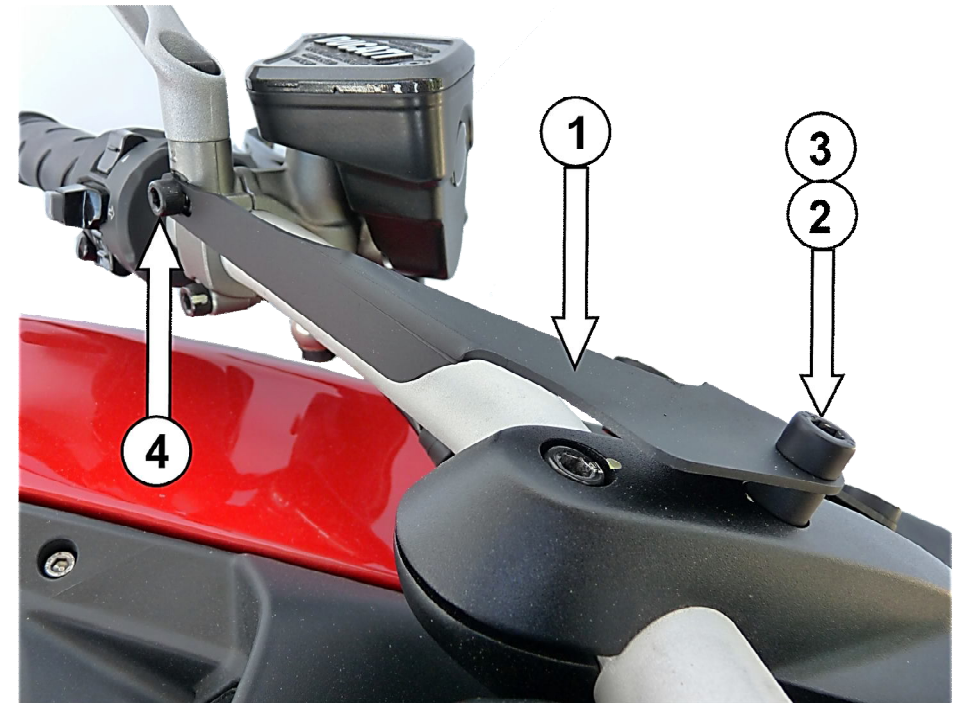


GEN-X®

Ducati DIAVEL Art.DX132 (att.DX132/E)



IMPORTANT:
Tight bolts M8 on handle
only with dynamometrical
key respecting the torque
(20/25Nm)

Elenco bulloneria Art DX132		
Descrizione	Q.tà	Pos.
Support LH/RH	1+1	1
Bolt M8x50	2	2
Bush	2	3
Bolt M6x30	2	4
Wellnut	4	5
Bolt M5x20	4	6
Washer, nylon	4	7

Gen-X® è un marchio registrato

F.FABBRi
ACCESSORI

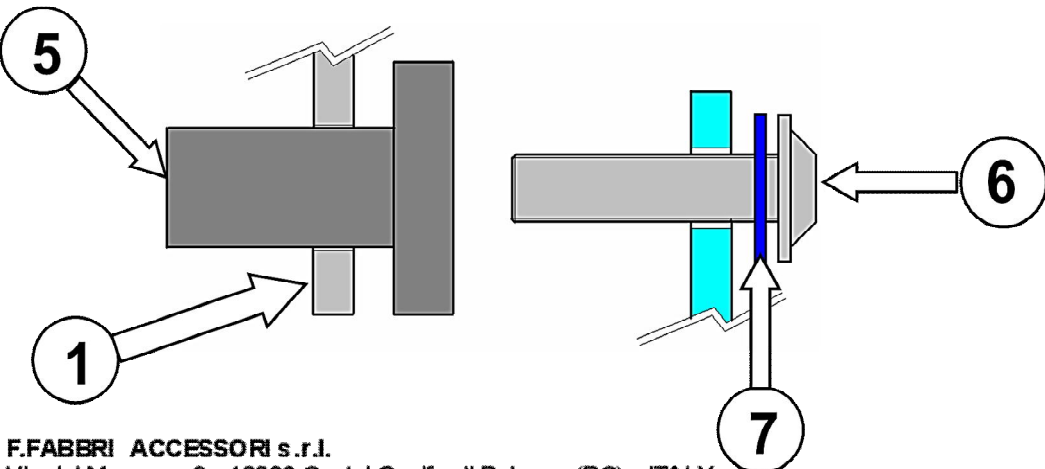
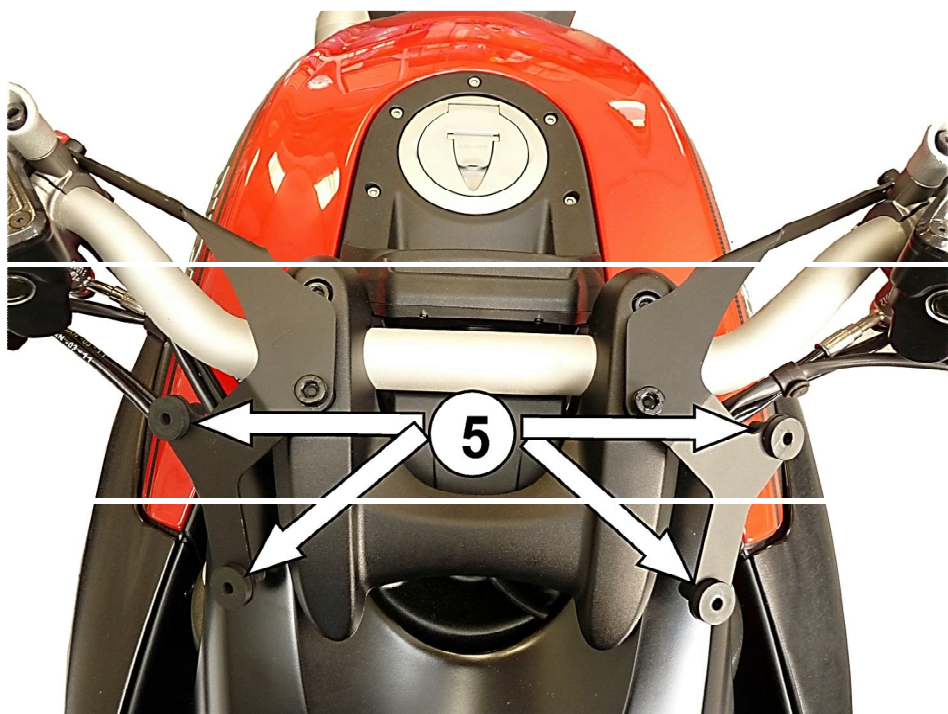
F.FABBRi ACCESSORI s.r.l.

Via del Mangano 9 - 40023 Castel Guelfo di Bologna (BO) - ITALY

Tel. +39 0542 670236 - +39 0542 670201 Fax +39 0542 670 212

www.fabbriaccessori.com - e-mail: info@fabbriaccessori.com

Ducati DIAVEL Art.DX132 (att.DX132/E)



MOUNTING INSTRUCTIONS

- Proceed to fix just one screen support per time, keep loosening the front bolt on handle plate. following the remark on page
- insert the M6 bolt on mirror support, than tight both screw following the remark on page 1.
- Repeat the same operations on the other side.
- Put the wellnuts and fix the screen on the supports

